



## Stress on Spur Gear and Simulation for Micro Hybrid Systems by Ansys Workbench

Anisul Islam<sup>1,\*</sup>, Md. Mashrur Islam<sup>2</sup>, Nadim Mahmud<sup>1</sup>

<sup>1</sup>Department of Mechanical Engineering, Rajshahi University of Engineering & Technology, Rajshahi-6204, Bangladesh.

<sup>2</sup>Department of Electrical and Electronic Engineering, Rajshahi University of Engineering & Technology, Rajshahi-6204, Bangladesh.

PAPER INFO	ABSTRACT
<p><b>Chronicle:</b> Received: 08 November 2018 Revised: 11 February 2019 Accepted: 12 March 2019</p>	<p>Spur gears are the most well-known kind of gears used in hybrid vehicle's power transmission. They have straight teeth and are mounted on parallel shafts. In some cases, many spur gears are utilized without a moment's delay to make huge rigging decreases. In this paper how stress creates on a spur equip under various conditions and conditions and reenactments of a rigging system (two spur gears) is assessed by Ansys workbench. For this static, the structural and dynamic analysis modeling is utilized. A couple of spurs equip tooth in real life is by and large subjected to two sorts of cyclic stress: Contact stress and twisting stress including bowing fatigue. The two stresses may not accomplish their greatest esteems at a similar purpose of contact fatigue. These sorts of failure can be limited by analysis of the issue amid the outline organize and making appropriate tooth surface profile with legitimate assembling strategies.</p>
<p><b>Keywords:</b> Ansys Workbench. Design Analysis. Spur Gear. Simulation. Micro Hybrid Energy.</p>	

### 1. Introduction

A gear or cogwheel is a turning machine part having cut teeth, or gear-teeth, which works with another toothed part to transmit torque [1]. Geared devices can change the speed, torque, and course of a power source. Gears quite often deliver an adjustment in torque, making a mechanical preferred standpoint, through their gear proportion, and hence might be considered as a straightforward machine. The teeth of the two gears have exactly the same profile [2 and 3]. When, at least two meshing gears working with alignment known as gear train or transmission. A gear can work with a direct toothed part, called a rack, in this manner creating translation instead of rotation.

Spur gears or straight-cut gears are the least complex kind of gear. They comprise of a barrel or plate with teeth anticipating radially. In spite of the fact that the teeth are not straight-sided (but rather ordinarily of exceptional outline to accomplish a consistent drive proportion, essentially involute however less regularly cycloidal), the periphery of every tooth is straight and attuned parallel to the hub of pivot. These gears are fitted to parallel shafts works mutually accurately [2]. The tooth loads make

\* Corresponding author

E-mail address: anisulme11@gmail.com

DOI: 10.22105/jarie.2019.174397.1083

no hub push. Spur gears are outstanding at direct speeds however they have a tendency of being noisy at elevated speeds [3].

There are a few sorts of stresses exhibit in loaded and turning gear teeth and generally two sorts of fatigue failure in spur gear. There are two hypothetical recipes, which bargain with these two-fatigue failure systems. One is the Hertz equation, which can be utilized to figure the twisting stress [4 and 10].

Dynamic loads on the teeth, coming about because of the operation of gears are one of the vital variables deciding the dependability and durability of the transmission. The authores of [5 and 6] recommended distinctive technique for dynamic analysis. The works [7 and 8] utilized a model with lumped parameters in which the gearing appears as hard drives associated with the versatile damping coupling. The limited component technique is fit for giving all the essential data however it is very tedious. Modeling programming can make the work truly less demanding and Ansys workbench is one of them.

## 2. Finite Element Method

The Finite Element Method is a numerical method used for taking cares of engineering and mathematical problems. It is likewise alluded to as Finite Element Investigation (FEA). Analytical method is exceptionally tedious however it gives a correct arrangement. Numerical methods are easier than analytical method and get approximate solution. Nowadays, scientists and engineers prefer numerical methods for their simplicity.

A PC supported technique that applies the Finite Element Method (FEM) to outfit configuration is exhibited in this work. The investigation considers the genuine tooth profile made by the involute flank of the tooth and the trochoidal filet at the base of the tooth. The strategy empowers gears with altered addendum and with any number of teeth to be demonstrated, so it tends to be utilized in CAD frameworks that require exact models [8].

## 3. Methodology

### 3.1 Design of Gear

The gear was designed in solid works. It could be designed in Ansys but for designing of solid bodies solid works provides much easier interface than Ansys. Then the design was imported in Ansys. The parameters and geometry considered for the simulation is given in Table 1.

*Table 1. Geometry parameters of spur gear design.*

Number of teeth	$Z_1=29$ and $z_2=31$
Face width	12 mm
Normal module	3 mm
Pressure angle	20 degree
Range of rotating speed	10 to 10000
Torque range	500 to 1500 Nm

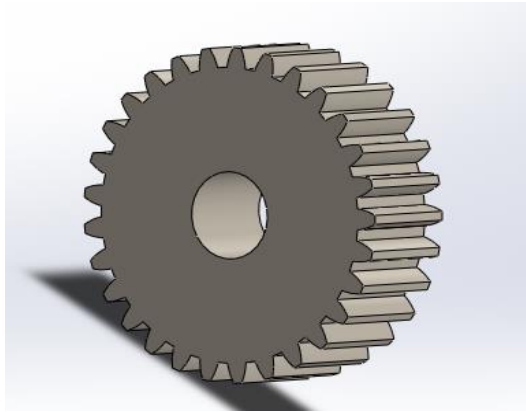


Fig. 1. Gear of 29 teeth.

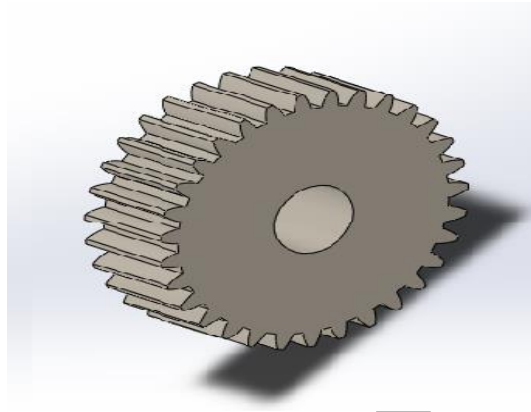


Fig. 2. Gear of 31 teeth.

### 3.2 Meshing and Defining Boundary Condition for Stress Analysis

#### Element type solid 10 node quadratic tetrahedral

Here both remote displacements for bearing supports are taken fixed.

Table 2. Mesh sizing (details of mesh).

Relevance Center	Fine
Initial size seed	Active assembly
Smoothing	Medium
Transition	Fast
Minimum edge length	1,47,480 mm

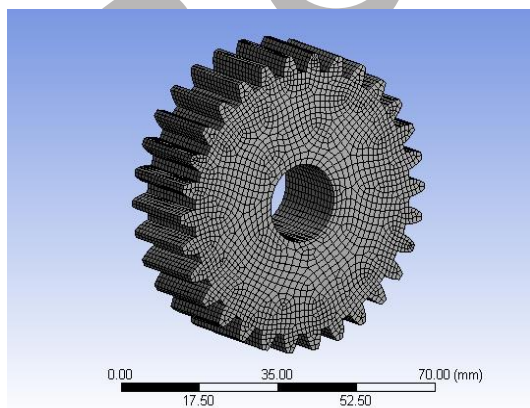


Fig. 3. Mesh of the gear.

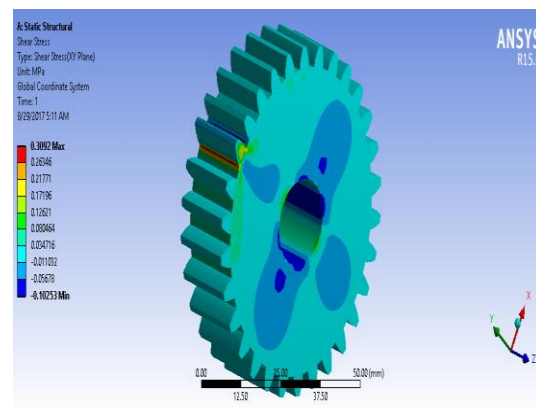
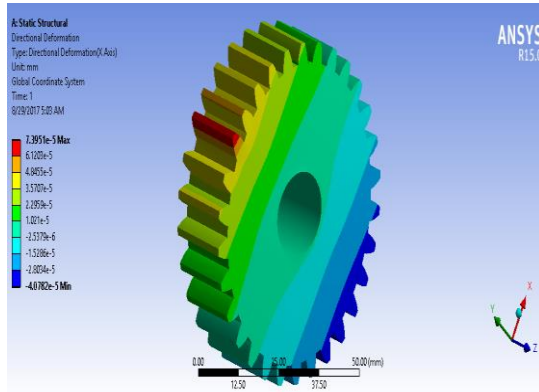
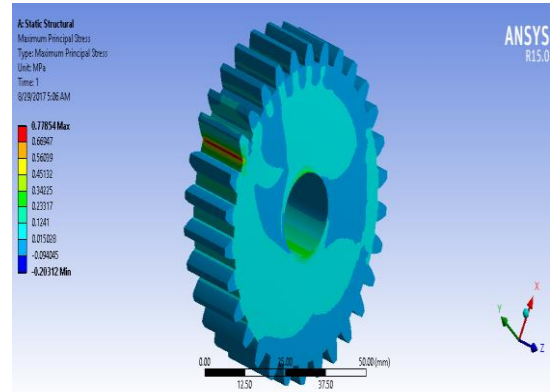


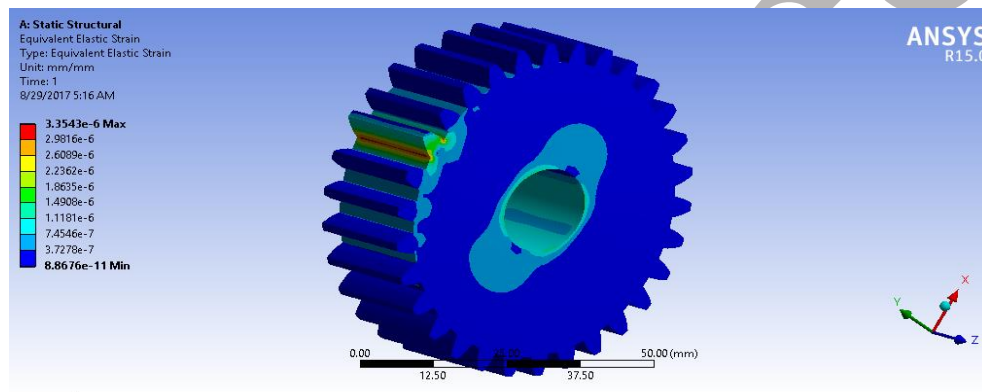
Fig. 4. Shear stress.



**Fig. 5.** Directional deformation.



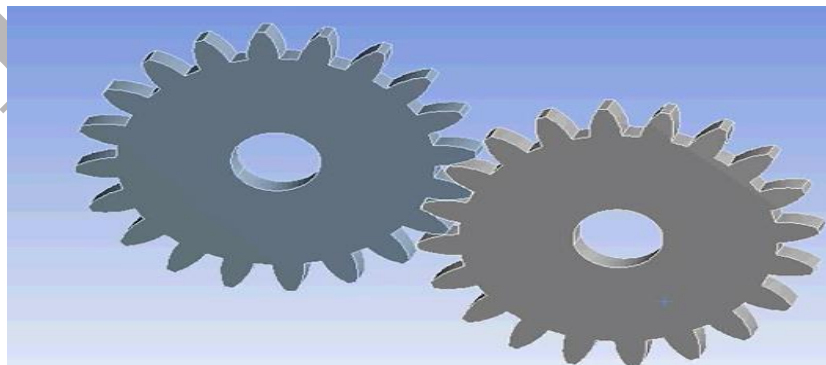
**Fig. 6.** Maximum principle stress.



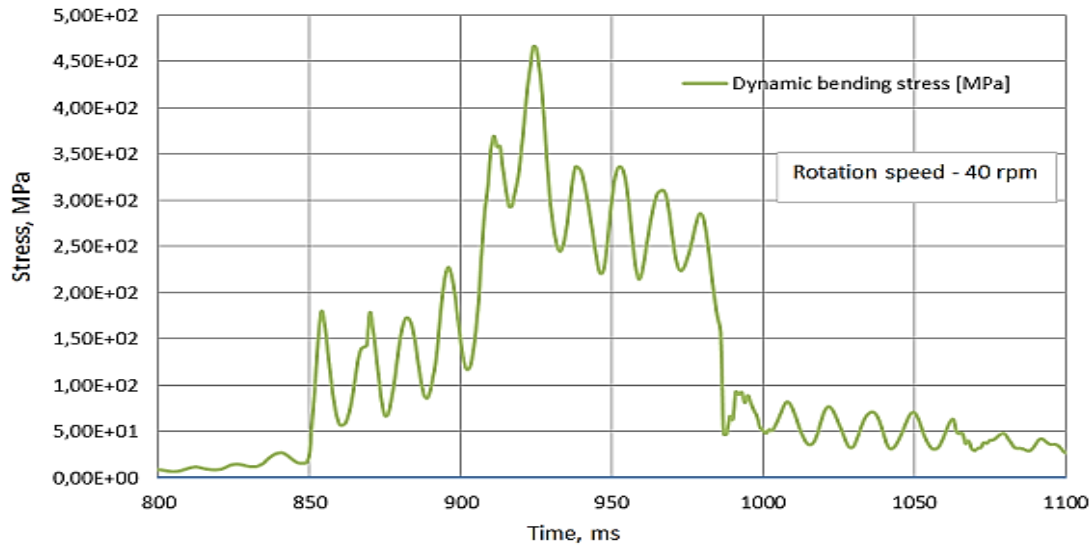
**Fig. 7.** Equivalent elastic strain.

### 3.3 Simulation of Gear System

The simulation was done by dynamic analysis. The numerical dynamic simulation using Ansys Transient Structural has been conducted through finite element method. Fig. 8 shows a bulk combination of two spur gears. The simulation results are presented in Figs. 9 and 10.

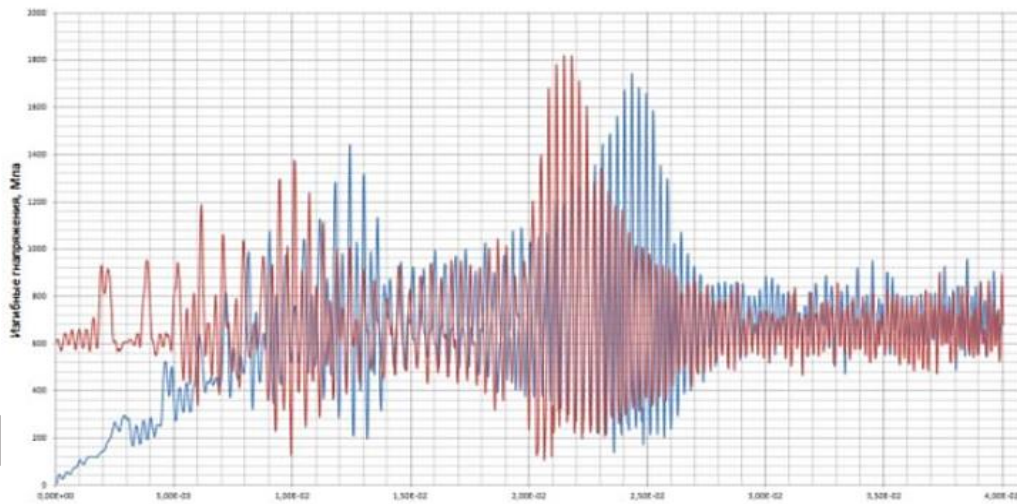


**Fig. 8.** Finite element method of spur gear pair in Ansys transient structural.



**Fig. 9.** Load distribution of bending stress for single tooth at a speed of 40 rpm.

Fig. 9 shows the dynamic bending stresses in the tooth at a speed of 50 rpm. This result is in good agreement with the experimental data of [9], which he investigated in 1960. Fig. 10 demonstrates the simulation results about the bending stresses in teeth roots. In this graph vividly identified point of resonance frequency as well as point of the increase of stress are half the speed of resonance.



**Fig. 10.** Ansys transient simulation results: bending stress distribution with increasing rotation speed (blue) and reducing (red).

Fig. 10 demonstrates the distinction between resonance frequency with the most extreme estimations of the bending stresses in the root when rotation speed is expanded (blue) and resonance frequency when rotation speed diminishes (red chart), likewise, demonstrates a noteworthy diminishment of dynamic stresses in supercritical range. This outcome might be utilized when planning the operation state of transmission.



## 4. Results and Discussion

The finite element method is most broadly for locating a genuine model of the geared set utilizing the stress investigation in the combine of gears. The improvement of finite element investigation model of the spur gear assembly to reproduce the contact stress calculation and bending stress calculation is assume more critical part in the plan of gears. The investigation demonstrates that Hertz theory is the premise of contact stress calculation and Lewis equation is the use for computing bending stress is a couple of gear. Theoretically result has been got by Lewis recipe and hertz equation, and found by tantamount with finite element investigation of spur gear. In the dynamic simulation results about a demonstrated decreased dynamic stress level in the gear prepare basic range with increasing of external loads.

## 5. Conclusions

Subsequently, in perspective on this finding, if the contact pressure minimization is the basic concern and if the immense power is to be transmitted by then goad gears with higher model is favored. From this time of forwarding we reasoned that investigation programming can be used for other dismembering reason. Aftereffects of exhibiting showed insisted closeness of spasmodic vibration with loss of contact of the teeth in the fundamental range. Time-moving lattice firmness work was reviewed as the rule wellspring of vibration and dynamic lead of a rigging structure, and evaluated through nonlinear limited component show.

## References

- [1] Arefin, M. A., Mallik, A., & Asfaquzzaman, M. (2018). Renewable energy–assisted hybrid three-wheeler: a numerical investigation. *Advances in mechanical engineering*, 10(12), 1687814018814372.
- [2] Bakshe, B. N., & Patil, S. R. (2018). Contact stress analysis of steel and composite spur gear pairs. *International journal of advanced technology and engineering exploration*, 5(45), 262-268.
- [3] Chen, Z., & Shao, Y. (2011). Dynamic simulation of spur gear with tooth root crack propagating along tooth width and crack depth. *Engineering failure analysis*, 18(8), 2149-2164.
- [4] Shinde, S. P., Nikam, A. A., & Mulla, T. S. (2012). Static analysis of spur gear using finite element analysis. *IOSR journal of mechanical and civil engineering*, 26-31.
- [5] Mallik, A., Arefin, M. A., Rashid, F., & Asfaquzzaman, M. (2017). Solar based plugged-in hybrid engine driven rickshaw (auto-rickshaw) & its feasibility analysis for Bangladesh. *Proceedings of the international conference on mechanical, industrial and materials engineering*. Rajshahi, Bangladesh: RUET.
- [6] Mallik, A., & Arefin, A. (2018). Micro hybridized auto-rickshaw for Bangladesh: a solution to green energy vehicle. *The open mechanical engineering journal*, 12(1).
- [7] Parker, R. G., Vijayakar, S. M., & Imajo, T. (2000). Non-linear dynamic response of a spur gear pair: modelling and experimental comparisons. *Journal of sound and vibration*, 237(3), 435-455.
- [8] Mehta, G., Somani, M., Babu, T. N., & Watts, T. (2018). Contact stress analysis on composite spur gear using finite element method. *Materials today: proceedings*, 5(5), 13585-13592.
- [9] Liu, C., Vengayil, H., Zhong, R. Y., & Xu, X. (2018). A systematic development method for cyber-physical machine tools. *Journal of manufacturing systems*, 48, 13-24.
- [10] Arefin, A., & Islam, R. (2018). Investigation of different validation parameters of micro gas turbine for range extender electric truck. *International journal of engineering*, 31(10), 1782-1788.